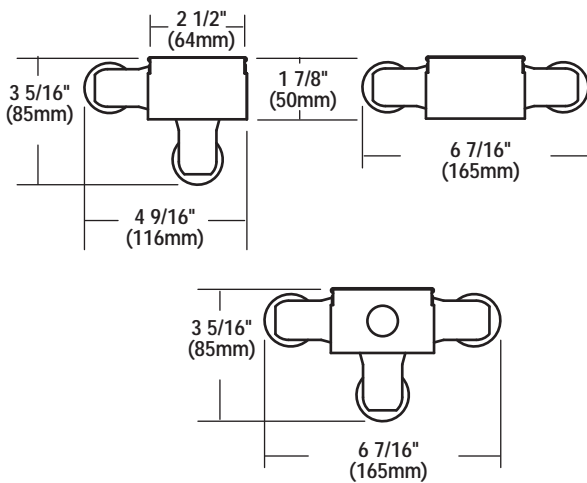


SM/SMB

ONE, TWO, THREE LAMP, OR TANDEM SIDE MOUNT STRIP



DIMENSIONS



PRODUCT HIGHLIGHTS

- Premium housing crimped along sides for extra rigidity and straight alignment
- Accepts optional plug-in wiring feature for continuous row installation
- Alignment couplers furnished for continuous row installation
- Channel cover equipped with quarter-turn, captive fasteners for easy access to ballast compartment

CONSTRUCTION - Fixture housing, lampholder brackets, end sections and channel cover constructed of code-gauge, die-formed steel.

ELECTRICAL - All devices UL/CUL listed. Suitable for damp locations. Damp location emergency pack must be specified separately. Ballasts are energy-saving solid-state electronic or electromagnetic. Ballasts and lampholders replaceable without removing from ceiling. Discrete voltage must be specified for emergency pack options when wired with flex.

FINISH - All metal parts painted after fabrication following treatment with phosphate rust inhibitor. Finish coating of housing reflecting surfaces is with white, high reflectance (minimum 92%) polyester powder.

PHOTOMETRICS - Please visit our web site at www.lsi-industries.com for detailed photometric data.

ORDERING INFORMATION

TYPICAL ORDER EXAMPLE: **LISM 2 32 SS010 EM UE**

Prefix	Lamps	Lamp Type	Ballasts	Options	Voltage
LISM	1 2	15 - 15 W T12 17 - 17 W T8 20 - 20 W T12	SSOD - T8 Dimming (specify type) SSOL - T8 Low Watt SSOHL - T8 High Power Factor	F - Fusing EM - Emergency Pack EMDL - Emergency Pack - Damp Location PM - Prewired Plug-in Assembly (specify circuitry. See Options/Accessories Section)	120 - 120V 277 - 277V 347 - 347V
LISMB - Bottom	2 3	25 - 25 W T8 30 - 30 W T12 32 - 32 W T8 34 - 34 W T12 Note: For tandem configurations suffix number above with "-2"	SSOR - T8 Rapid Start SS010 - T8 <10% THD Instant Start SS12 - T12 Electronic		UE - Universal Electronic (120-277V)