

# ADJUSTABLE BIAX WALL WASH (2' & 4')

PDA77

## PRODUCT HIGHLIGHTS

- A unique, patented, energy-efficient luminaire, specifically created for wall lighting.
- Optics designed specifically for 40W, 50W and 55W biax lamps.
- Can be aimed vertically between 0° and 60°, providing uniform illumination from floor to ceiling.
- 4' units are provided with two individually adjustable optical assemblies.

**CONSTRUCTION** - The housing is die-formed steel. .025" thick, die-formed semi-specular reflector.

**SHIELDING** - Optional 3/4" x 2" on center .040" thick aluminum cross baffle.

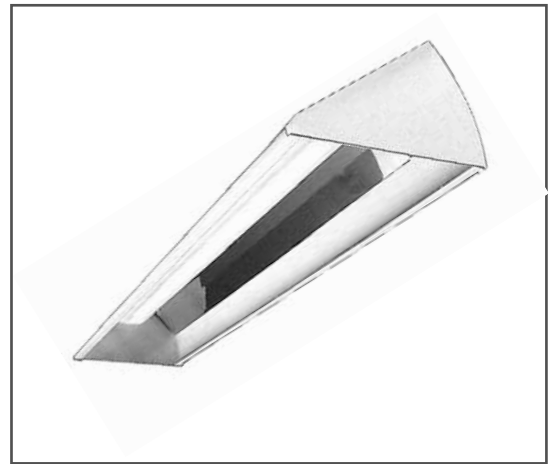
**ELECTRICAL** - All devices UL/CUL listed. Suitable for damp locations. Damp location emergency pack must be specified separately. Ballasts are solid-start electronic. Ballasts and lampholders replaceable without removing from ceiling. Discrete voltage must be specified for emergency pack options when wired with flex. Where lamps are included as part of the fixture, lamp CRI and color temperature must be specified.

**MOUNTING** - Grid unit is supplied with T-bar clips.

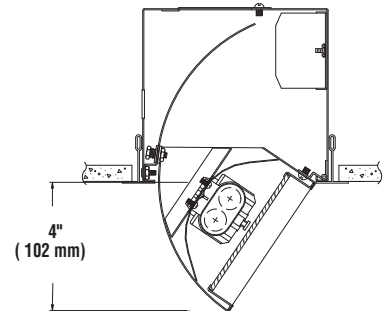
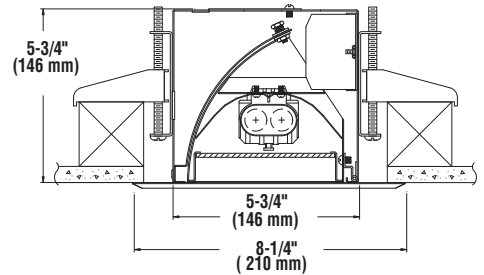
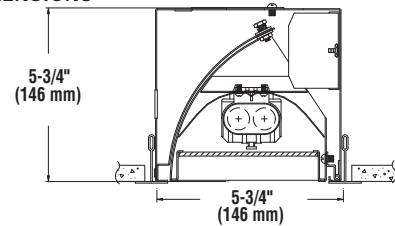
**FINISH** - All metal parts painted after fabrication following treatment with phosphate rust inhibitor. Finish coating of housing reflecting surfaces is with white, high-reflectance (minimum 92%) polyester powder.

**LISTING** - UL listed to U.S. and Canadian safety standards. IBEW Union made in the U.S.A Patent No's.: 5,564,815 and DES379,546.

**PHOTOMETRICS** - Please visit our web site at [www.lsi-industries.com](http://www.lsi-industries.com) for detailed photometric data.



## DIMENSIONS



## ORDERING INFORMATION

TYPICAL ORDER EXAMPLE: **LIPDA77 G 4 2 40BX SSB EM UE**

Prefix	Ceiling	Length	Lamps	Lamp Type	Ballasts	Options	Voltage
LIPDA77	G - Grid F - Flanged	2 - 2' 4 - 4'	1 2	28BX - 28W biax 40BX - 40W biax 50BX - 50W biax 55BX - 55W biax	SSB - Biax Instant Start SSBR - Biax Program Rapid Start	F - Fusing EM - Emergency Pack EMDL - Emergency Pack Damp Location MA/AUX - Master/Auxiliary BAFF - Baffle	120 - 120V 277 - 277V 347 - 347V UE - Universal Electronic (120-277V)

06/08/09

© 2009  
LSI INDUSTRIES INC.

Project Name \_\_\_\_\_ Fixture Type \_\_\_\_\_

Catalog # \_\_\_\_\_

