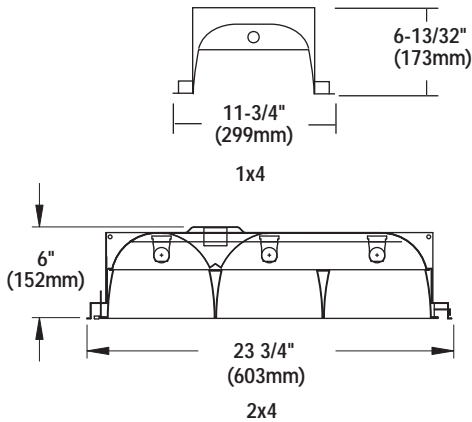


N1P / N2P

PREMIUM GRADE PARABOLIC (1X4, 2X4)



DIMENSIONS



PRODUCT HIGHLIGHTS

- 3" deep louver assembly with parabolic shaped cellular aluminum baffles for excellent cut-off of T8 lamps
- Computer-aided housing design allows for optimum luminaire efficiency and visual comfort
- Aluminum louver surfaces plated with anodized, semi-specular aluminum, low iridescent finish
- Spring-loaded latches and die formed T-hinges for louver insertion from either side
- Floating door with black reveal standard, multiple air functions available
- Removable louver seal eliminates dust build-up and protects lamps during construction and installation
- Integral EQ Grid Clips



CONSTRUCTION - Housing constructed of structurally embossed, heavy gauge, cold rolled steel. Wire way covers snap in for easy attachment and removal. Access plate provides top access to wire way

ELECTRICAL - All devices UL/CUL listed. Suitable for damp locations. Damp location emergency pack must be specified separately. Ballasts are energy-saving, solid-state electronic. Ballasts and lampholders replaceable without removing from ceiling. Discrete voltage must be specified for emergency pack options when wired with flex. Where lamps are included as part of the fixture, lamp CRI and color temperature must be specified.

FINISH - All metal parts painted after fabrication following treatment with phosphate rust inhibitor. Finish coating of housing reflecting surfaces is with white, high reflectance (minimum 92%) polyester powder.

PHOTOMETRICS - Please visit our web site at www.lsi-industries.com for detailed photometric data.

ADDITIONAL SIZES AVAILABLE
Consult factory

LUMINAIRE ORDERING INFORMATION

TYPICAL ORDER EXAMPLE: **LIN1P G 8 3 32 FD SSO10 EM UE**

Prefix	Ceiling	Cells	Lamps	Lamp Type	Air Functions	Ballasts	Options	Voltage
LIN1P (1x4)	G - Grid F - Flanged ¹	6	1	32 - 32W T8 48" 34 - 34W T12 48" 28 - 28W T5 45" 54 - 54W T5 45"	FD - Static AH - Air Handling HR - Heat Removal AHR - Air Supply and Heat Removal	SS5 - T5 Instant Start SS5R - T5 Rapid Start SS5HO - T5 HO SSOD - T8 Dimming (specify type) SSOL - T8 Low Watt SSOHL - T8 High Power Factor SSOR - T8 Rapid Start SSO10 - T8 <10% THD Instant Start SS12 - T12 Electronic	2BC - 2 Ballast Covers 3-Lamp Only F - Fusing MA/AUX - Master/Auxiliary EM - Emergency Pack EMDL - Emergency Pack damp location FSS - Specular Silver Louver FC1 - 6' 3/8" flex, 3 #18 leads (other types available) APCB - Air Pattern Control Blades WHT - White louver (nom. 1x4 units only) LM - Lamps installed (specify) MWA - Aluminum interior reflector JP - Job Packed MWS - Specular Silver Reflector WR - White Reveal	120 - 120V 277 - 277V 347 - 347V UE - Universal Electronic (120-277V)
		8N (nom. 3") 12 12N (nom. 3") 16 16N (nom. 3")	2 3					
LIN2P (2x4)		12 16 18 24 (3X8) 24A (4X6) 32	2 3 4			(For dual ballasts add "2" Example: SSO2) (For 3 lamp, specify: 1BC - Single ballast cover 2BC - Dual ballast covers)		

¹ - See the **Flanged Troffer Mounting Data** section for Details.