

MINI-STRIP (T5)

MS

PRODUCT HIGHLIGHTS

- Small cross sectional area
- Slim high-efficiency T5 lamps
- Top access ballast cover
- Pre-assembled socket plates
- Broad reflector options available

CONSTRUCTION - Fixture housing, lampholder/ballast cover and end plates constructed of die-formed, code-gauge steel.

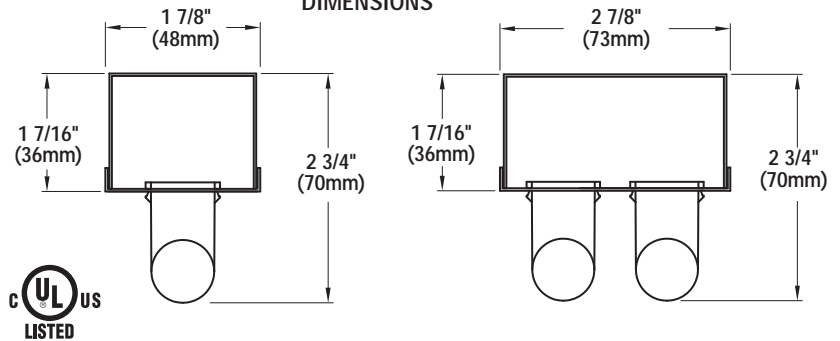
ELECTRICAL - All devices UL/CUL listed. Suitable for damp locations. Damp location emergency pack must be specified separately. Ballasts are energy-saving, solid-state electronic. Ballasts and lampholders replaceable without removing from ceiling. Discrete voltage options when wired with flex.

FINISH - All metal parts painted after fabrication following treatment with phosphate rust inhibitor. Finish coating of housing reflecting surfaces is with white, high reflectance (minimum 92%) polyester powder.

PHOTOMETRICS - Please visit our web site at www.lsi-industries.com for detailed photometric data.



DIMENSIONS



ORDERING INFORMATION

TYPICAL ORDER EXAMPLE: **LIMS 1 21 SS5R EM UE**

Prefix	Lamps	Lamp Type	Ballasts	Options	Voltage
LIMS	1 2	14 - 14W 21" 21 - 21W 33" 24 - 24W HO 22" 28 - 28W 45" 39 - 39W HO 33" 54 - 54W HO 45" Note: For tandem configurations suffix number above with "-2"	SS5 - T5 Instant Start SS5R - T5 Rapid Start SS5D - T5 Dimming (specify type) SS5HO - T5HO Rapid Start	F - Fusing EM - Emergency Pack PM - Prewired Plug-in Assembly (specify circuitry. See Options/Accessories Section)	120 - 120V 277 - 277V 347 - 347V UE - Universal Electronic (120-277V)

ACCESSORY ORDERING INFORMATION (Accessories are field installed)

Description	Order Number	Description	Order Number
Symmetrical Reflector (specify unit)	SR	Asymmetrical Reflector (specify unit)	AR

SEE REFLECTOR SECTION FOR DETAILS