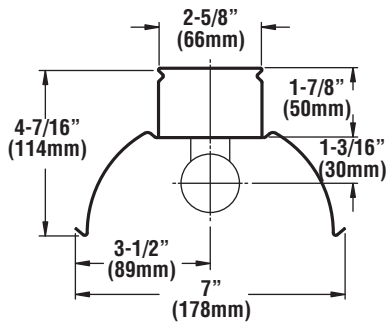


REFLECTOR OPTIONS - SYMMETRICAL



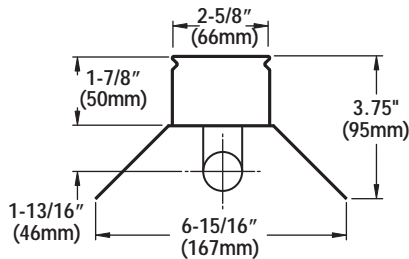
1-T12 LAMP

SR-1 REFLECTOR

- Symmetrical Reflector
- For 1 3/8" x 2 1/2" Strips
- Up to 48" Lengths Available
- Ref. DWG. C60688

CATALOG NUMBERS:

- SR-1-2 FITS S-117 & S-120 STRIPS
- SR-1-3 FITS S-125 & S-130 STRIPS
- SR-1-4 FITS S-132 & S-134 STRIPS



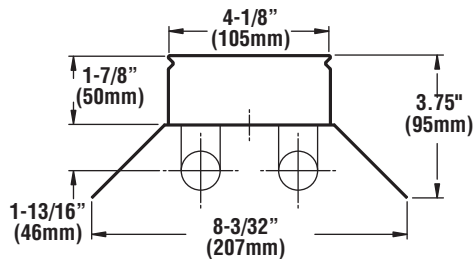
1 LAMP

SR45-1 REFLECTOR

- 45° Symmetrical Reflector
- For 1 3/8" x 2 1/2" Wide Strips
- Up to 48" Lengths Available
- Ref. DWG. C61306

CATALOG NUMBERS:

- SR45-1-2 FITS S-117 & S-120 STRIPS
- SR45-1-3 FITS S-125 & S-130 STRIPS
- SR45-1-4 FITS S-132 & S-134 STRIPS



2 LAMPS

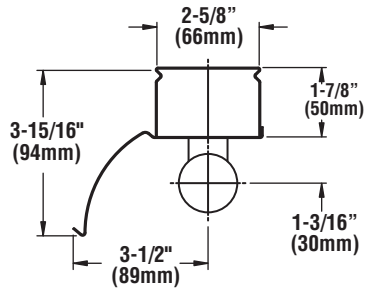
SR45-2 REFLECTOR

- 45° Symmetrical Reflector
- For 1 7/8" x 4 1/8" Wide Strips
- Up to 48" Lengths Available
- Ref. DWG. C61204

CATALOG NUMBERS:

- SR45-2-2 FITS S-217 & S-220 STRIPS
- SR45-2-3 FITS S-225 & S-230 STRIPS
- SR45-2-4 FITS S-232 & S-234 STRIPS

REFLECTOR OPTIONS - ASYMMETRICAL



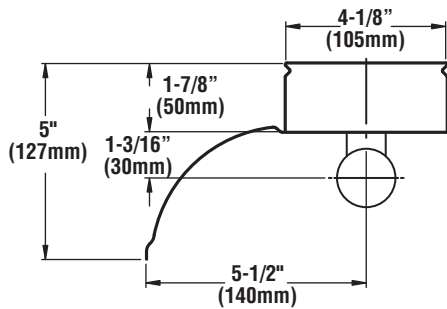
1-LAMP

AR-1 REFLECTOR

- Asymmetrical Reflector
- For 1 3/8" Tall x 2 1/2" Wide Strips
- Up to 48" Lengths Available
- Ref. DWG. C60689

CATALOG NUMBERS:

- AR-1-2 (24") FITS S-120 STRIP/S-117
- AR-1-3 (36") FITS S-130 AND S-130-2 STRIPS/S125, S125-2
- AR-1-4 (48") FITS S-134 AND S-134-2 STRIPS/S132, S132-2



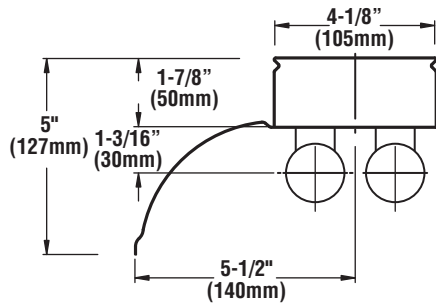
1- LAMP

AR-2 REFLECTOR

- Asymmetrical Reflector
- For 1 7/8" Tall x 4 1/8" Wide Strips
- Up to 48" Lengths Available
- Ref. DWG. C60848

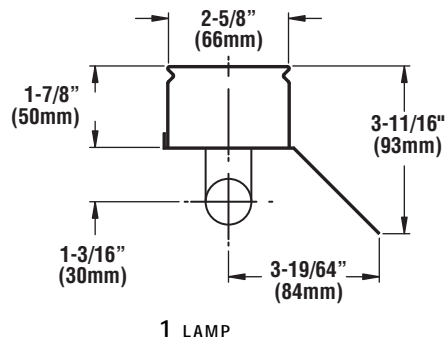
CATALOG NUMBERS:

- AR-2-2 FITS S-217 & S-220
- AR-2-3 FITS S-225 & S-230
- AR-2-4 FITS S-232 & S-234



2- LAMP

REFLECTOR OPTIONS - ASYMMETRICAL

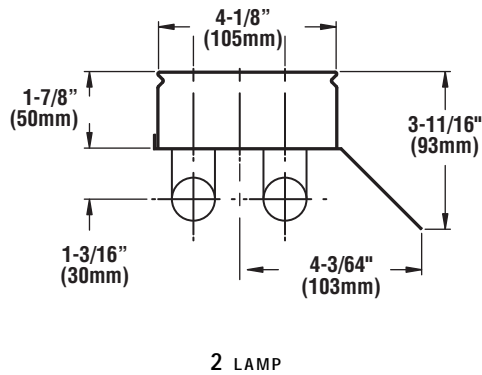


AR45-4 REFLECTOR

- 45° Asymmetrical Reflector
- For 1 7/8" Tall x 2 5/8" Wide Strips
- Up to 48" Lengths Available
- Ref. DWG. C61048

CATALOG NUMBERS:

- AR45-4-2 FITS S-120 STRIPS (S117)
- AR45-4-3 FITS S-130 STRIPS (S125)
- AR45-4-4 FITS S-134 STRIPS (S132)

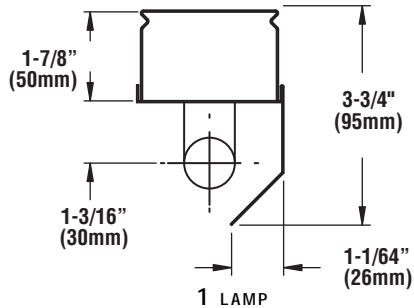


AR45-5 REFLECTOR

- 45° Asymmetrical Reflector
- For 1 7/8" Tall x 4 1/8" Wide Strips
- Up to 48" Lengths Available
- Ref. DWG. C61049

CATALOG NUMBERS:

- AR45-5-2 FITS S-217 & S-220 STRIPS
- AR45-5-3 FITS S-225 & S-230 STRIPS
- AR45-5-4 FITS S-232 & S-234 STRIPS

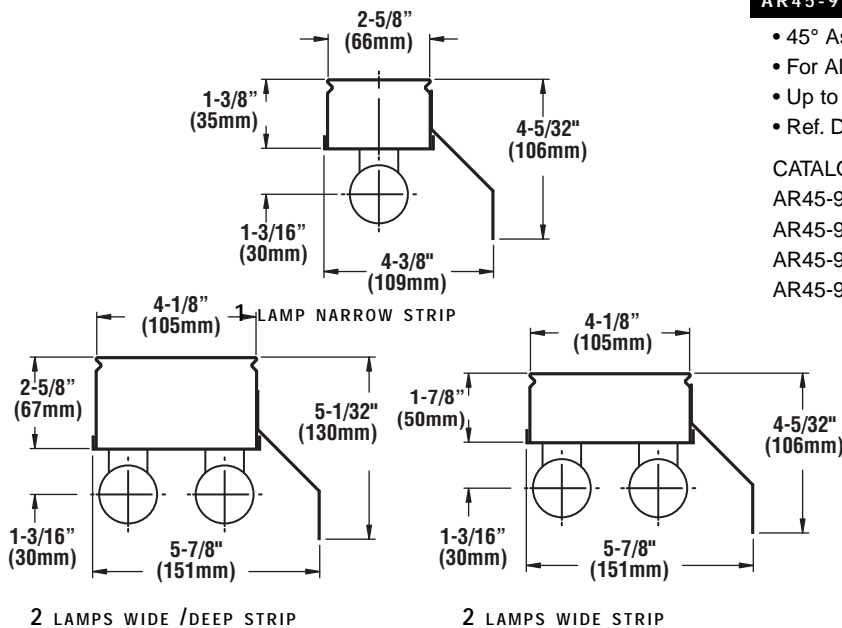


AR45-6 WALL-WASH REFLECTOR

- 45° Asymmetrical Reflector
- For 1 7/8" Tall x 2 5/8" Wide Strips
- Up to 48" Lengths Available
- Ref. DWG. C61207

CATALOG NUMBERS:

- ARW45-6-2 FITS S-120 STRIPS (S117)
- ARW45-6-3 FITS S-130 STRIPS (S125)
- ARW45-6-4 FITS S-134 STRIPS (S132)



AR45-9 REFLECTOR

- 45° Asymmetrical Reflector
- For All Regular and Staggered Strips
- Up to 48" Lengths Available
- Ref. DWG. D61458

CATALOG NUMBERS:

- AR45-9-2 FITS S-120 STRIPS (S117)
- AR45-9-3 FITS S-130 STRIPS (S125)
- AR45-9-4 FITS S-134 STRIPS (S132)
- AR45-9-6 FITS S-130-2 STRIPS (S125-2)
- AR45-9-8 FITS S-134-2 STRIPS (S132-2)*
- AR45-9-30 FITS STG-130-2 STRIPS (125-2)(30"LG)*
- AR45-9-42 FITS STG-134-2 STRIPS (132-2)(42"LG)*

* 2 per 8 foot fixture required

06/08/09

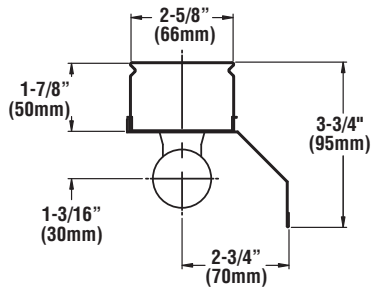
© 2009
LSI INDUSTRIES INC.

Project Name _____ Fixture Type _____
Catalog # _____



REFLECTOR OPTIONS - ASYMMETRICAL

AR45-11 REFLECTOR



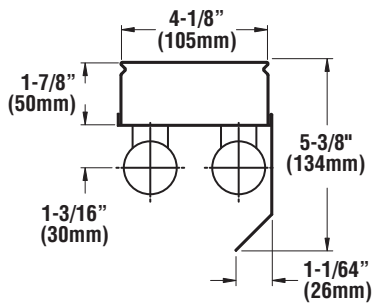
1 LAMP

- 45° Asymmetrical Reflector
- For One Lamp 2 5/8" Wide Strip
- Up to 48" Lengths Available
- Ref. DWG. C61718

CATALOG NUMBERS:

- AR45-11-2 FITS S-120 STRIPS (S117)
- AR45-11-3 FITS S-130 STRIPS (S125)
- AR45-11-4 FITS S-134 STRIPS (S132)

AR45 -12 WALL WASH REFLECTOR



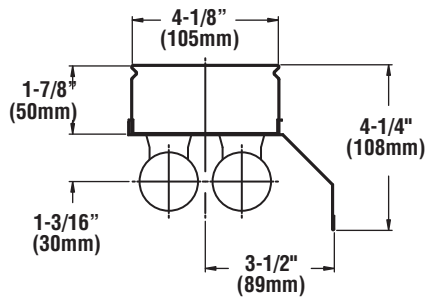
2 LAMPS

- 45° Asymmetrical Reflector
- For 1 7/8" Tall x 4 1/8" Wide Strips
- Up to 48" Lengths Available
- Ref. DWG. C61720

CATALOG NUMBERS:

- ARW45-12-2 FITS S-217 & S-220 STRIPS
- ARW45-12-3 FITS S-225 & S-230 STRIPS
- ARW45-12-4 FITS S-232 & S-234 STRIPS

AR45 -13 REFLECTOR



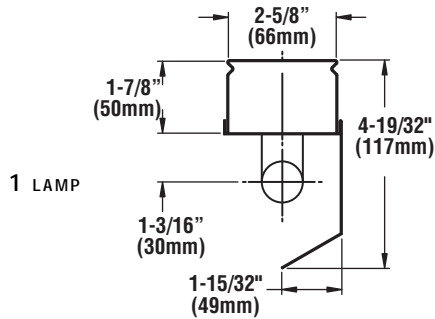
2 LAMPS

- 45° Asymmetrical Reflector
- For Two Lamp 4 1/8" Wide Strips
- Up to 48" Lengths Available
- Ref. DWG. C61722

CATALOG NUMBERS:

- AR45-13-2 FITS S-220 STRIPS (S217)
- AR45-13-3 FITS S-230 STRIPS (S225)
- AR45-13-4 FITS S-234 STRIPS (S232)

REFLECTOR OPTIONS - ASYMMETRICAL WALL WASH

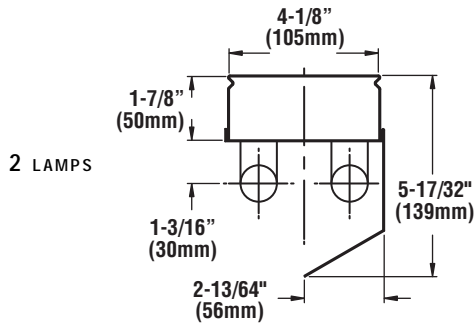


AR60-1 WALL WASH REFLECTOR

- 60° Asymmetrical Reflector
- For 1 7/8" Tall x 2 5/8" Wide Strips
- Up to 48" Lengths Available
- Ref. DWG. C60664

CATALOG NUMBERS:

- ARW60-1-2 FITS S-117 & S-120 STRIPS
- ARW60-1-3 FITS S-125 & S-130 STRIPS
- ARW60-1-4 FITS S-132 & S-134 STRIPS

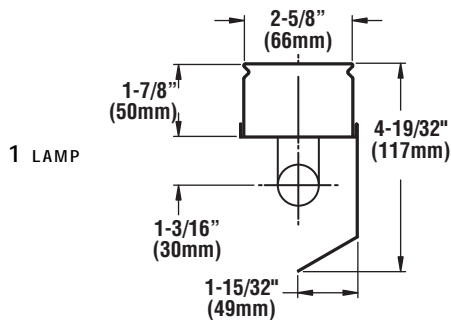


AR60-2 WALL WASH REFLECTOR

- 60° Asymmetrical Reflector
- For 1 7/8" Tall x 4 1/2" Wide Strips
- Up to 48" Lengths Available
- Ref. DWG. D61046

CATALOG NUMBERS:

- ARW60-2-2 FITS S-217 & S-220 STRIPS
- ARW60-2-3 FITS S-225 & S-230 STRIPS
- ARW60-2-4 FITS S-232 & S-234 STRIPS



AR60-3 WALL WASH REFLECTOR

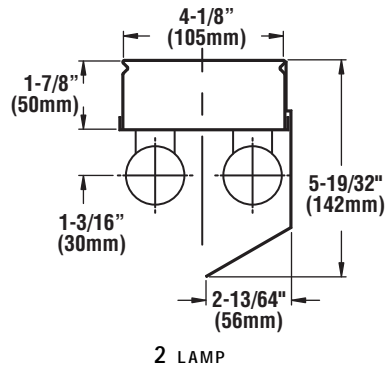
- 60° Asymmetrical Reflector
- For 1 7/8" Tall x 2 5/8" Wide Strips
- Mounts to Side of Strip Housing
- Up to 96" Lengths Available
- Ref. DWG. C61110

CATALOG NUMBERS:

- ARW60-3-2 FITS S-117 & S-120 STRIPS
- ARW60-3-3 FITS S-125 & S-130 STRIPS
- ARW60-3-4 FITS S-132 & S-134 STRIPS
- ARW60-3-6 FITS S-125-2 & S-130-2 STRIPS*
- ARW60-3-8 FITS S-132-2 & S-134-2 STRIPS*

* 8 foot 1-piece reflector

REFLECTOR OPTIONS - ASYMMETRICAL WALL WASH



AR60 -5 WALL WASH REFLECTOR

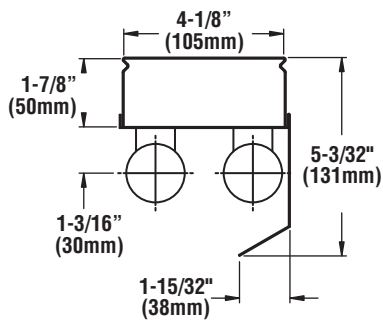
- 60° Asymmetrical Reflector
- For 1 7/8" Tall x 4 1/8" Wide Strips
- Mounts to Side of Strip Housing
- Up to 96" Lengths Available
- Ref. DWG. C61112

CATALOG NUMBERS:

- ARW60-5-2 FITS STG-217 & S-217 STRIPS
- ARW60-5-3 FITS STG-225 & S-225 STRIPS
- ARW60-5-4* FITS STG-232 & S-232 STRIPS
- ARW60-5-6 FITS STG-225-2, S-225-2 & S-272 STRIPS
- ARW60-5-8** FITS STG-2-32-2, STG-259 & S-232-2, S-259, F259, & F296 STRIPS

* will also fit S232 & F248HO

** will also fit S296 & F2968HO



AR60 -6 WALL WASH REFLECTOR

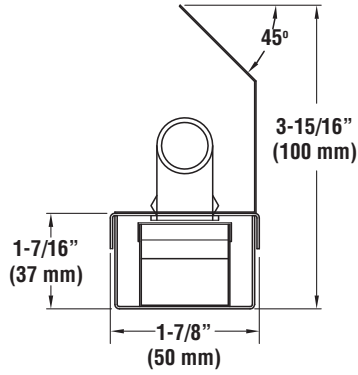
- 60° Asymmetrical Reflector
- For 1 7/8" Tall x 4 1/8" Wide Strips
- Up to 48" Lengths Available
- Ref. DWG. C61689

CATALOG NUMBERS:

- ARW60-6-2 FITS S-220 STRIPS (217)
- ARW60-6-3 FITS S-230 STRIPS (225)
- ARW60-6-4 FITS S-234 STRIPS (232)

MS SERIES REFLECTOR OPTIONS - ASYMMETRICAL

ONE LAMP T5 MINI-STRIP



ARW45-29 REFLECTOR

- 45° Asymmetrical Reflector
- For MS Series 1-lamp Strip Only
- Up to 46" Lengths Available

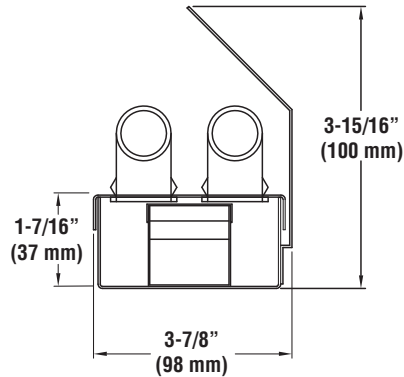
CATALOG NUMBERS:

ARW45-29-2 FITS MS114 & MS124

ARW45-29-3 FITS MS121 & MS139

ARW45-29-4 FITS MS128 & MS154

TWO LAMP T5 MINI-STAGGER



ARW45-30 REFLECTOR

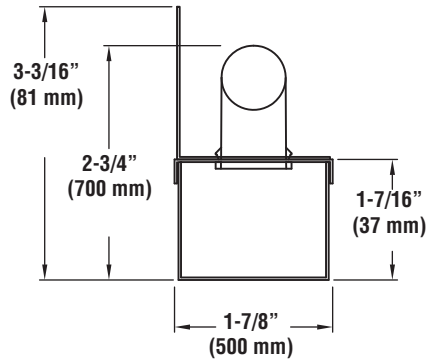
- 45° Asymmetrical Reflector
- For MS Series 2-lamp Strip Only
- Up to 46" Lengths Available

CATALOG NUMBERS:

ARW45-26-2 FITS MS214 & MS224

ARW45-26-3 FITS MS221 & MS239

ARW45-26-4 FITS MS228 & MS254



AR90 REFLECTOR

- 90° Asymmetrical Reflector
- For MS Series 1-lamp Strip Only
- Up to 46" Lengths Available

CATALOG NUMBERS:

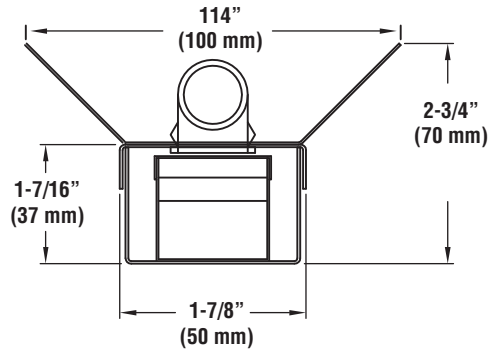
AR90-1-2 FITS MS114 & MS124

AR90-1-3 FITS MS121 & MS139

AR90-1-4 FITS MS128 & MS154

MS SERIES REFLECTOR OPTIONS - SYMMETRICAL

ONE LAMP T5 MINI-STRIP



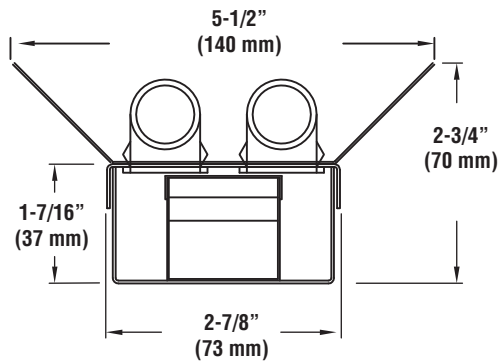
SR45-13 REFLECTOR

- 45° Symmetrical Reflector
- For MS Series 1-Lamp Strip
- Up to 46" Lengths Available
- Ref. DWG D61046

CATALOG NUMBERS:

- | | |
|-----------|--------------------|
| SR45-13-2 | FITS MS114 & MS124 |
| SR45-13-3 | FITS MS121 & MS139 |
| SR45-13-4 | FITS MS128 & MS154 |

TWO LAMP T5 MINI-STRIP



SR45-12 REFLECTOR

- 45° Symmetrical Reflector
- For MS Series 2-lamp Strip
- Up to 46" Lengths Available

CATALOG NUMBERS:

- | | |
|-----------|--------------------|
| SR45-12-2 | FITS MS214 & MS224 |
| SR45-12-3 | FITS MS221 & MS239 |
| SR45-12-4 | FITS MS228 & MS154 |