

SERIES 78

PIPER

HOUSING COMPONENTS & ENDS - Die formed 20 GA CRS with 92% reflective white polyester powder coated finish.

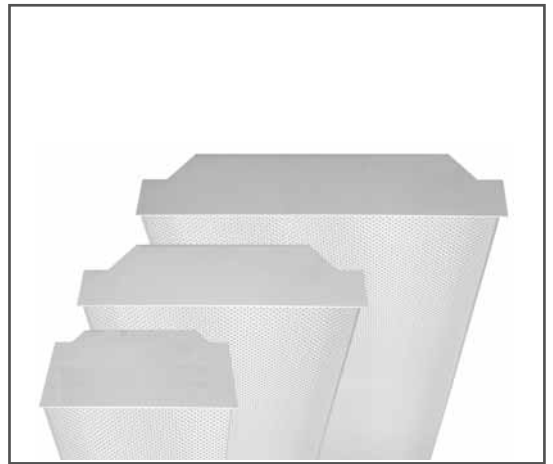
SHIELDING - 100% extruded prismatic acrylic lens with DR additive for improved impact resistance. Hinges from either side without tools.

BALLAST - Solid state electronic, 120V / 277V or universal. Discrete voltage must be specified when ordering EM options.

LAMPS - T5, or T8 lamps available (by others).

SOCKETS - Unbreakable polycarbonate locking sockets.

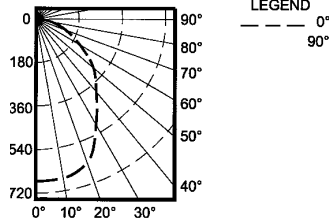
LISTING - UL Listed to U.S. and Canadian safety standards. Suitable for damp locations. IBEW Union made.



PHOTOMETRIC DATA:

LSI Lightron Inc. File No.: 400-146.ies
Coefficients of Utilization-Zonal Cavity Method
Effective Floor Cavity Reflectance 0.20

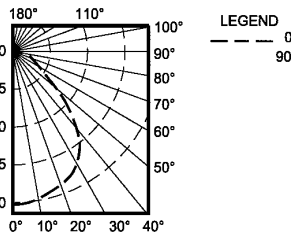
RC	80			70			50				
RW70	50	30	10	70	50	30	10	50	30	10	
0	92	92	92	92	89	89	89	89	84	84	84
1	83	79	75	72	80	76	73	70	72	69	67
2	75	68	63	58	73	66	61	57	63	59	55
3	68	60	53	48	66	58	52	47	55	50	46
4	62	53	46	40	60	51	45	40	49	43	39
5	57	47	40	35	55	46	39	34	44	38	33
6	53	42	35	30	51	41	35	30	39	34	29
7	49	38	31	26	47	37	31	26	33	30	26
8	46	35	28	24	44	34	28	23	30	27	23
9	42	32	25	21	41	31	25	21	33	24	20
10	40	29	23	19	38	29	23	19	28	22	18



Fixture: 78-5-1/2"-132 T8-SE
Lamps: (1) 32W T8 each rated 2900 lumens
Efficiency: 78.2%
Planes: 0° 90°
Spacing Criteria: 1.13 1.52

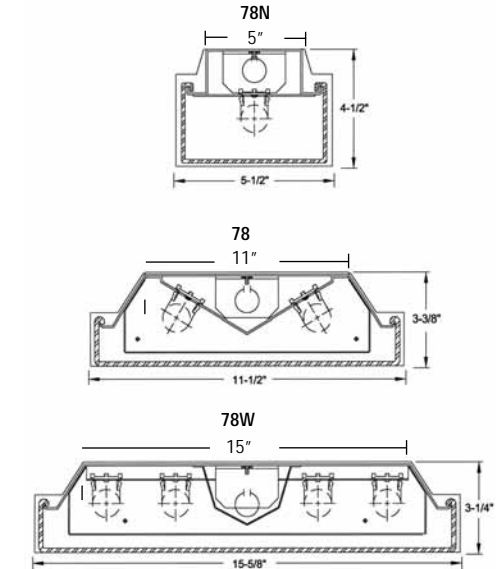
Lightron Inc. File No.: 400-217.ies
Coefficients of Utilization-Zonal Cavity Method
Effective Floor Cavity Reflectance 0.20

RC	80			70			50				
RW70	50	30	10	70	50	30	10	50	30	10	
0	89	89	89	89	86	86	86	86	81	81	81
1	81	78	75	72	79	76	73	70	71	69	67
2	75	69	64	59	72	67	62	58	63	59	56
3	68	61	55	50	66	59	54	49	56	51	48
4	63	54	48	43	61	53	47	42	50	45	41
5	58	49	42	37	56	47	41	37	45	40	36
6	54	44	37	33	52	43	37	32	41	36	32
7	50	40	34	29	48	39	33	29	37	32	28
8	46	36	30	26	45	36	30	26	34	29	25
9	43	33	27	23	42	33	27	23	31	26	23
10	41	31	25	21	39	30	25	21	29	24	21



Fixture: 78-11-1/2"-232 T8-SE
Lamps: (2) 32W T8 each rated 2900 lumens
Efficiency: 76.4%
Planes: 0° 90°
Spacing Criteria: 1.23 1.45

DIMENSIONS



Illustrations above show maximum number of lamps in cross-section

ORDERING INFORMATION

TYPICAL ORDER EXAMPLE: **LI78 8 4 32 SS010 F UE**

Prefix	Housing Length	Number of Lamps	Lamp	Ballasts	Options	Voltage
LI78N	2	1	17-17wT8 24" 14-14w T5 21" 24-24w T5HO 21"	SS5-T5 Instant Start SS5R-T5 Rapid Start SS5D-T5 Dimming (Specify Type)	F-fusing EM-Emergency Pak EMDL-Emergency Pack Damp Loc.	120 277 347
LI78	4	2	32-32w T8 48" 28-28WT5 46" 54-54w T5HO	SS5HO-T5 High Output1 SS010- T8<10%THD SSOD-T8 Dimming (Specify Type)	PM1-Plug thru Wiring (1 cir) PMK-Pendant Kit PL13- Night Light 13w PL MWS-Specular Silver Reflector	UE
LI78W	8	4		SSOL- T8 Low Watt SSOHL-T8 High Light Output1 SSOR-T8 Rapid Start		
		8		(add 2 for two ballasts)		

Note: Some ballast option may not be available in 347v consult factory
1- Not available in 4 lamp version (4 foot) or 8 Lamp Version (8 foot)