

6" VERTICAL METAL HALIDE - OPEN & BAFFLED

206VMHPAR

PRODUCT HIGHLIGHTS

- Premium quality open reflector with a variety of baffle options & decorative accessories.
- .050" spun aluminum reflector available in low-iridescent Alzak® or painted finishes. White self-trim flange.
- Vertical orientation provides medium beam spread for even illumination at higher ceiling heights or added punch at lower heights.
- Computer-aided design optimizes visual comfort, efficiency and distribution.
- Socket adjustable from below ceiling without tools.

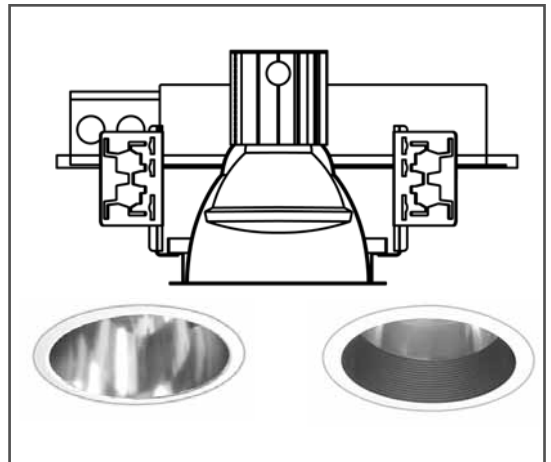
CONSTRUCTION - Frame-in housing constructed of galvanized heavy gauge steel. Socket housing made of extruded aluminum.

ELECTRICAL - Ballasts are Class P, magnetic encased and potted. Specify 120V or 277V. A self resetting thermal protector is provided standard.

MOUNTING - Minimized overall housing dimensions simplify installation and access to junction box. Butterfly brackets accept 27" or 52" C-Channels, nailer bars or EMT conduit. Accommodates ceilings up to 1" thick.

PHOTOMETRICS - Please visit our web site at www.lsi-industries.com for detailed photometric data.

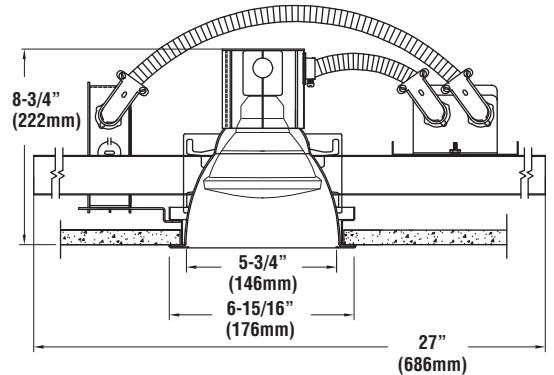
LISTING - UL listed to U.S. and Canadian safety standards. Non-IC rated. Suitable for damp locations. Listed for use with thru wiring. IBEW Union made in the U.S.A.



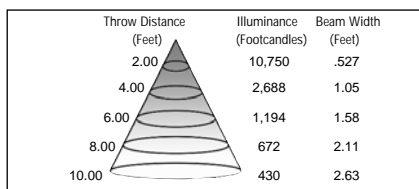
Alzak® is a registered trademark of the Aluminum Company of America.



DIMENSIONS ROUGH IN: 6-3/8" (162mm)



CONE OF LIGHT Beam Spread 15° Max. CP 43,000



CONSULT FACTORY FOR PHOTOMETRIC INFORMATION.

LUMINAIRE ORDERING INFORMATION

TYPICAL ORDER EXAMPLE: **LI206V MH 1 70W 120V QEH C52**

Luminaire Prefix	Light Source	Lamp Quantity	Rated Wattage	Line Voltage	Options	Field Installed Accessories
LI206V	MH - Metal Halide PAR 30	1	39W	120V 277V	FUS - Fuse SE - Electronic Ballast	C27 - 27" Channel Bars (pair) C52 - 52" Channel Bars (pair) NB - Nailer Bar Kit (set of 4) SCIK - Suspended Ceiling Installation Kit (set of 4 bars and 4 grid clips)
	MH - Metal Halide PAR 38		70W 100W			

TYPICAL ORDER EXAMPLE: **LI206V CL BBF E**

Reflector	Finish	Baffle	Emergency	
LI206V	CL - Clear Semi Specular CM - Clear Matte GD - Champagne Gold Semi Specular WH - White	PR - Pewter Semi Specular WT - Wheat Semi Specular BZ - Bronze Semi Specular	BBF - Black WBF - White (baffle available with clear semi-specular only)	E - QEH

06/08/09

© 2009
LSI INDUSTRIES INC.

Project Name _____ Fixture Type _____
Catalog # _____

