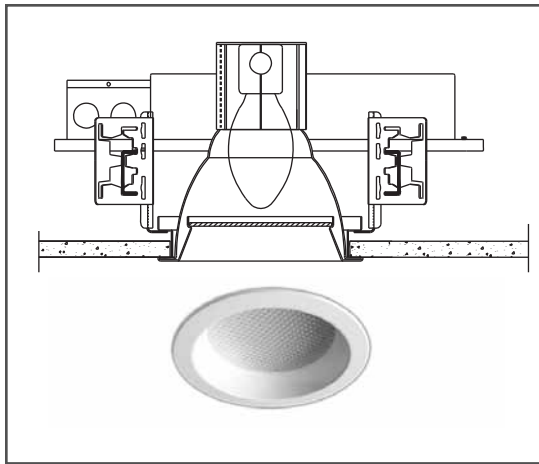


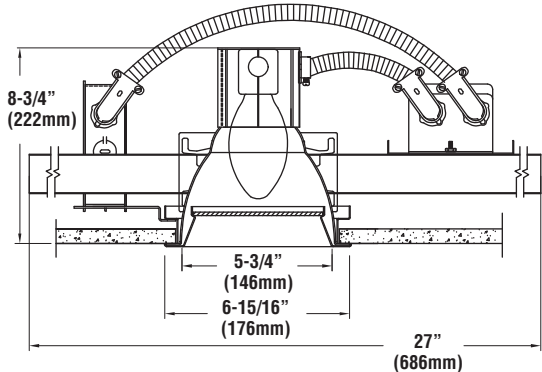
206VMHED17

6" VERTICAL METAL HALIDE - LENSED



Alzak® is a registered trademark of the Aluminum Company of America.

DIMENSIONS **ROUGH IN: 6-3/8" (162mm)**



PRODUCT HIGHLIGHTS

- Premium quality open reflector with a white or clear semi-specular regressed splay and glass lens insert.
- Vertical orientation provides medium beam spread for even illumination at higher ceiling heights or added punch at lower heights.
- Computer-aided design optimizes visual comfort, efficiency and distribution.
- Socket adjustable from below ceiling without tools.
- Pulse rated rejection type socket for open rated lamps.

CONSTRUCTION - Frame-in housing constructed of galvanized heavy gauge steel. Socket housing made of extruded aluminum.

ELECTRICAL - Ballasts are Class P, magnetic encased and potted. Specify 120V or 277V. A self resetting thermal protector is provided standard.

MOUNTING - Minimized overall housing dimensions simplify installation and access to junction box. Butterfly brackets accept 27" or 52" C-Channels, nailer bars or EMT conduit. Accommodates ceilings up to 1" thick.

PHOTOMETRICS - Please visit our web site at www.lsi-industries.com for detailed photometric data.

LISTING - UL listed to U.S. and Canadian safety standards. Non-IC rated. Suitable for wet locations. Listed for use with thru wiring. IBEW Union made in the U.S.A.

CONSULT FACTORY FOR PHOTOMETRIC INFORMATION.

LUMINAIRE ORDERING INFORMATION

TYPICAL ORDER EXAMPLE: **LI206VPLW MHED17 1 70W 120V QEH C52**

Luminaire Prefix	Light Source	Lamp Quantity	Rated Wattage	Line Voltage	Options	Field Installed Accessories
LI206V	MHED17 - Metal Halide ED17 Coated open rated	1	50W 70W 100W 150W ¹	120V 277V	FUS - Fuse QEH - Quartz Restrike (supplied with 1 - 50Watt Xenon lamp) SE - Electronic Ballast	C27 - 27" Channel Bars (pair) C52 - 52" Channel Bars (pair) NB - Nailer Bar Kit (set of 4) SCIK - Suspended Ceiling Installation Kit (set of 4 bars and 4 grid clips)

1- 150W requires SE-Electronic Ballast

TYPICAL ORDER EXAMPLE: **LI206VPLW E**

Reflector	Emergency
LI206VCGWLW - Clear Tempered Glass Lens White Splay LI206VCGLW - Clear Tempered Glass Lens Clear Semi-Specular Splay LI206VPGWLW - Prismatic Glass Lens White Splay (C73 pattern)(100Watt max.) LI206VPLW - Prismatic Glass Lens Clear Semi-Specular Splay (C73 pattern) LI206VFLW - Fresnel Glass Lens White Splay LI206VFLW - Fresnel Glass Lens Clear Semi-Specular Splay	E - QEH

06/08/09

© 2009
LSI INDUSTRIES INC.

Project Name _____ Fixture Type _____
Catalog # _____

