

# 6" VERTICAL METAL HALIDE - OPEN & BAFFLED

206VMHED17

## PRODUCT HIGHLIGHTS

- Premium quality open reflector with a variety of baffle options & decorative accessories.
- .050" spun aluminum reflector available in low-iridescent Alzak® or painted finishes. White self-trim flange.
- Vertical orientation provides medium beam spread for even illumination at higher ceiling heights or added punch at lower heights.
- Computer-aided design optimizes visual comfort, efficiency and distribution.
- Socket adjustable from below ceiling without tools.
- Pulse rated rejection type socket for open rated lamps.

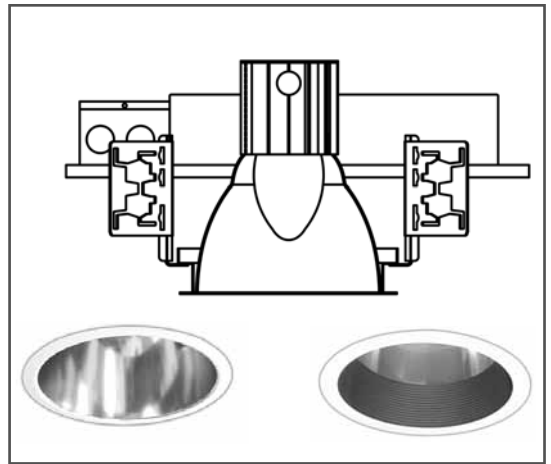
**CONSTRUCTION** - Frame-in housing constructed of galvanized heavy gauge steel. Socket housing made of extruded aluminum.

**ELECTRICAL** - Ballasts are Class P, magnetic encased and potted. Specify 120V or 277V. A self resetting thermal protector is provided standard.

**MOUNTING** - Minimized overall housing dimensions simplify installation and access to junction box. Butterfly brackets accept 27" or 52" C-Channels, nailer bars or EMT conduit. Accommodates ceilings up to 1" thick.

**PHOTOMETRICS** - Please visit our web site at [www.lsi-industries.com](http://www.lsi-industries.com) for detailed photometric data.

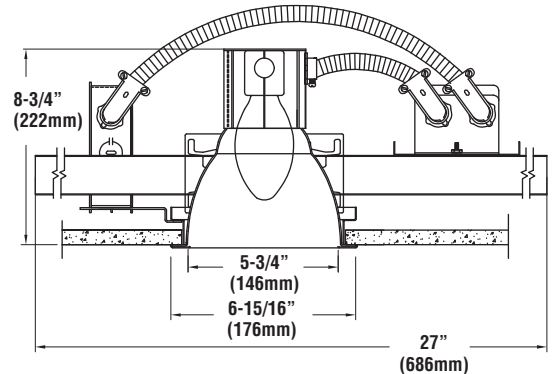
**LISTING** - UL listed to U.S. and Canadian safety standards. Non-IC rated. Suitable for damp locations. Listed for use with thru wiring. IBEW Union made in the U.S.A.



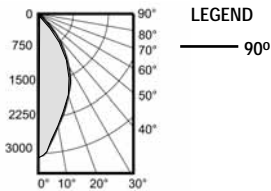
Alzak® is a registered trademark of the Aluminum Company of America.



## DIMENSIONS ROUGH IN: 6-3/8" (162mm)



## CANDLEPOWER DISTRIBUTION

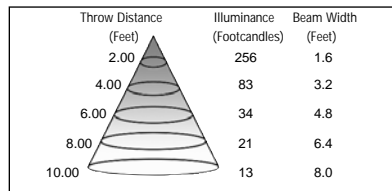


LSI File No.: 206MHED17 70W.ies  
 Fixture: 206VMH-1 70W ED17  
 Lamps: (1) 70W MH ED17 rated 5800 lumens  
 Efficiency: 43.7%

## LUMINANCE DATA (cd/sq.m)

Angle In Degrees	Average 0-Deg	Average 45-Deg	Average 90-Deg
45	26335	26490	25792
55	2769	2387	2101
65	1814	1685	1555
75	1270	1270	1270
85	2514	2514	2514

## CONE OF LIGHT Beam Spread 44° Max. CP 3,062



## CO-EFFICIENT OF UTILIZATION

Effective Floor Cavity Reflectance 0.20

RC	80	70	50	30	10	0
RW	70	50	30	10	0	0
0	52	52	52	51	51	51
1	49	48	47	46	45	45
2	47	45	43	41	40	40
3	44	41	39	37	36	36
4	42	38	36	34	33	33
5	40	36	33	31	30	30
6	38	33	31	29	28	28
7	36	31	29	27	26	26
8	34	29	27	25	24	24
9	32	28	25	23	22	22
10	30	26	23	22	21	21

## LUMINAIRE ORDERING INFORMATION

TYPICAL ORDER EXAMPLE: **LI206V MHED17 1 70W 120V QEH C52**

Luminaire Prefix	Light Source	Lamp Quantity	Rated Wattage	Line Voltage	Options	Field Installed Accessories
LI206V	MHED17 - Metal Halide ED17 Coated open rated	1	50W 70W 100W 150W <sup>1</sup>	120V 277V	FUS - Fuse QEH - Quartz Restrike (supplied with 1 - 50Watt Xenon lamp) SE - Electronic Ballast	C27 - 27" Channel Bars (pair) C52 - 52" Channel Bars (pair) NB - Nailer Bar Kit (set of 4) SCIK - Suspended Ceiling Installation Kit (set of 4 bars and 4 grid clips)

1- 150W requires SE-Electronic Ballast

TYPICAL ORDER EXAMPLE: **LI206V CL BBF E DGF**

Reflector	Finish	Baffle	Emergency	
LI206V	CL - Clear Semi Specular CM - Clear Matte GD - Champagne Gold Semi Specular WH - White	PR - Pewter Semi Specular WT - Wheat Semi Specular BZ - Bronze Semi Specular	BBF - Black WBF - White (baffle available with clear semi-specular only)	E - QEH

06/08/09

© 2009  
LSI INDUSTRIES INC.

Project Name \_\_\_\_\_ Fixture Type \_\_\_\_\_  
 Catalog # \_\_\_\_\_

