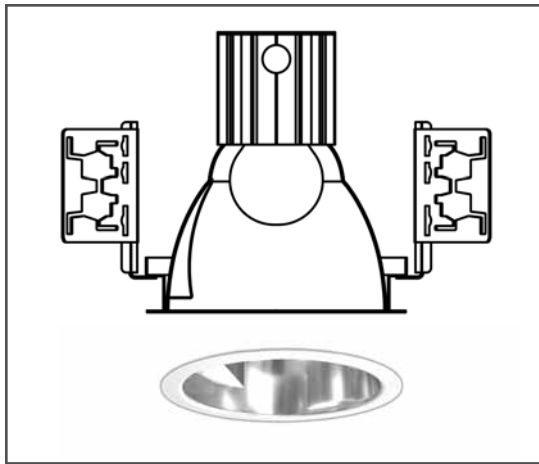


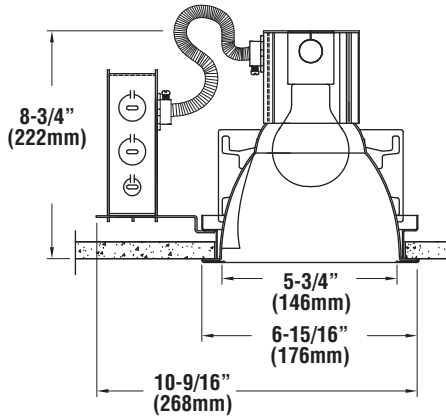
206VIWW

6" VERTICAL INCANDESCENT - OPEN WALL WASH



Alzak® is a registered trademark of the Aluminum Company of America.

DIMENSIONS ROUGH IN: 6-3/8" (162mm)



PRODUCT HIGHLIGHTS

- Premium quality open reflector with semi specular wall wash insert.
- .050" spun aluminum reflector available in low-iridescent Alzak® or painted finishes. White self-trim flange.
- Vertical orientation provides asymmetrical beam spread for even wall illumination.
- Computer-aided design optimizes visual comfort, efficiency and distribution.
- Reflector and kicker can be rotated after installation.
- Socket adjustable from below ceiling without tools.

CONSTRUCTION - Frame-in housing constructed of galvanized heavy gauge steel. Socket housing made of extruded aluminum.

ELECTRICAL - A self resetting thermal protector is provided standard.

MOUNTING - Minimized overall housing dimensions simplify installation and access to junction box. Butterfly brackets accept 27" or 52" C-Channels, nailer bars or EMT conduit. Accommodates ceilings up to 1" thick.

PHOTOMETRICS - Please visit our web site at www.lsi-industries.com for detailed photometric data.

LISTING - UL listed to U.S. and Canadian safety standards. Non-IC rated. Suitable for damp locations. Listed for use with thru wiring. IBEW Union made in the U.S.A.

CONSULT FACTORY FOR PHOTOMETRIC INFORMATION.

LUMINAIRE ORDERING INFORMATION

TYPICAL ORDER EXAMPLE: **LI206V I 1 150W FUS C27**

Luminaire Prefix	Light Source	Lamp Quantity	Rated Wattage	Options	Field Installed Accessories
LI206V	1 - Incandescent A19	1	150W Max. ¹	FUS - Fuse 277V - Step Down Transformer	C27 - 27" Channel Bars (pair) C52 - 52" Channel Bars (pair) NB - Nailer Bar Kit (set of 4) SCIK - Suspended Ceiling Installation Kit (set of 4 bars and 4 grid clips)

¹ - Consult factory for marked spacing restrictions

TYPICAL ORDER EXAMPLE: **LI206V CL WW**

Reflector	Finish	Wall Wash Type
LI206V	CL - Clear Semi Specular CM - Clear Matte GD - Champagne Gold Semi Specular WH - White	PR - Pewter Semi Specular WT - Wheat Semi Specular BZ - Bronze Semi Specular
		WW (single) DWW (double)

06/08/09

© 2009
LSI INDUSTRIES INC.

Project Name _____ Fixture Type _____

Catalog # _____

