

6" VERTICAL INCANDESCENT - LENSED

206VI

PRODUCT HIGHLIGHTS

- Premium quality open reflector with a white or clear semi-specular regressed splay and glass lens insert.
- .050" spun aluminum reflector available in low-iridescent Alzak® or painted finishes. White self-trim flange.
- Vertical orientation provides medium beam spread for even illumination at higher ceiling heights or added punch at lower heights
- Computer-aided design optimizes visual comfort, efficiency and distribution.
- Socket adjustable from below ceiling without tools.

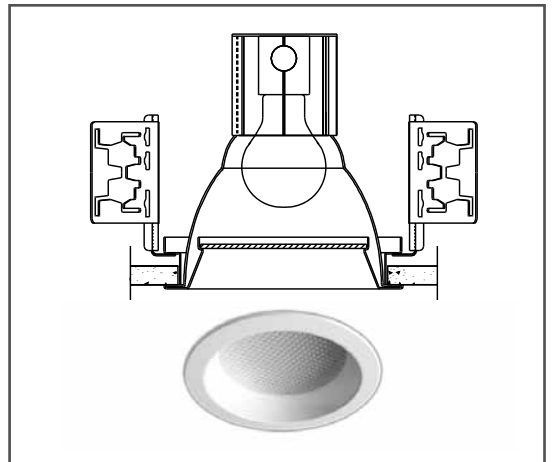
CONSTRUCTION - Frame-in housing constructed of galvanized heavy gauge steel. Socket housing made of extruded aluminum.

ELECTRICAL - A self resetting thermal protector is provided standard.

MOUNTING - Minimized overall housing dimensions simplify installation and access to junction box. Butterfly brackets accept 27" or 52" C-Channels, nailer bars or EMT conduit. Accommodates ceilings up to 1" thick.

PHOTOMETRICS - Please visit our web site at www.lsi-industries.com for detailed photometric data.

LISTING - UL listed to U.S. and Canadian safety standards. Non-IC rated. Suitable for wet locations. Listed for use with thru wiring. IBEW Union made in the U.S.A.

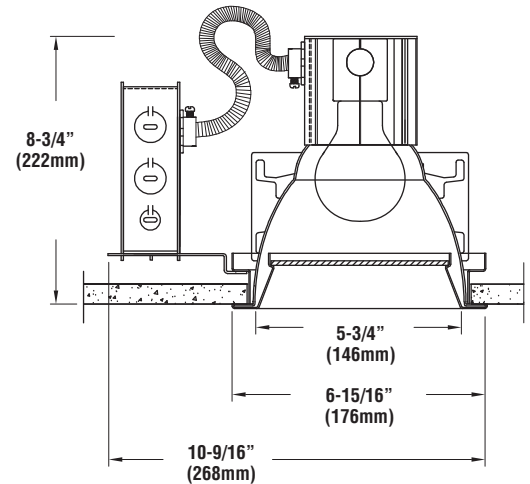


Alzak® is a registered trademark of the Aluminum Company of America.



CONSULT FACTORY FOR PHOTOMETRIC INFORMATION.

DIMENSIONS ROUGH IN: 6-3/8" (162mm)



LUMINAIRE ORDERING INFORMATION

TYPICAL ORDER EXAMPLE: **LI206V I 1 150W FUS C27**

Luminaire Prefix	Light Source	Lamp Quantity	Rated Wattage	Options	Field Installed Accessories
LI206V	1 - Incandescent A19	1	90w 150W ¹	FUS - Fuse 277V - Step Down Transformer	C27 - 27" Channel Bars (pair) C52 - 52" Channel Bars (pair) NB - Nailer Bar Kit (set of 4) SCIK - Suspended Ceiling Installation Kit (set of 4 bars and 4 grid clips)

¹ - Consult factory for marked spacing restrictions

TYPICAL ORDER EXAMPLE: **LI206VPGLW**

Reflector

- LI206VCGWL - Clear Tempered Glass Lens White Splay
- LI206VCGLC - Clear Tempered Glass Lens Clear Semi-Specular Splay
- LI206VPGLW - Prismatic Glass Lens White Splay (C73 pattern)(100Watt max.)
- LI206VPGLC - Prismatic Glass Lens Clear Semi-Specular Splay (C73 pattern)
- LI206VFGLW - Fresnel Glass Lens White Splay
- LI206VFGLC - Fresnel Glass Lens Clear Semi-Specular Splay

06/08/09

© 2009
LSI INDUSTRIES INC.

Project Name _____ Fixture Type _____
Catalog # _____

