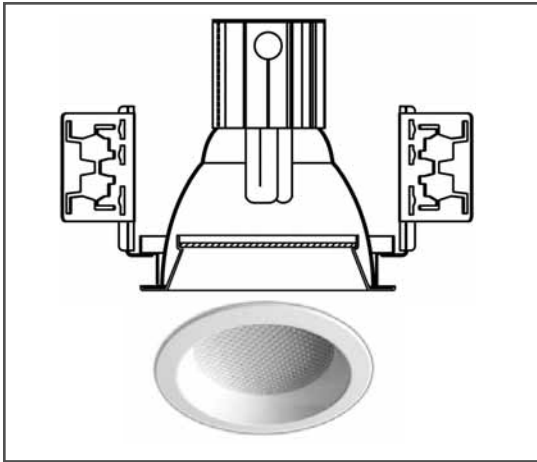


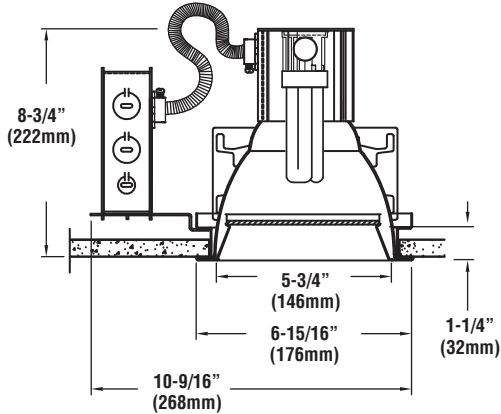
# 206VCFL

# 6" VERTICAL FLUORESCENT - LENSED



Alzak® is a registered trademark of the Aluminum Company of America.

## DIMENSIONS ROUGH IN: 6-3/8" (162mm)



### PRODUCT HIGHLIGHTS

- Premium quality reflector with a white or clear semi-specular regressed splay and acrylic or glass lens insert.
- .050" spun aluminum reflector available in low-iridescent Alzak®. White self-trim flange.
- Vertical orientation provides medium beam spread for even illumination at higher ceiling heights or added punch at lower heights.
- Computer-aided design optimizes visual comfort, efficiency and distribution.
- Socket adjustable from below ceiling without tools.

**CONSTRUCTION** - Frame-in housing constructed of galvanized heavy gauge steel. Socket housing made of extruded aluminum.

**ELECTRICAL** - Ballasts are Class P, solid state electronic, universal voltage (120V thru 277V) with end-of-life shutdown protection.

**MOUNTING** - Minimized overall housing dimensions simplify installation and access to junction box. Butterfly brackets accept 27" or 52" C-Channels, nailer bars or EMT conduit. Accommodates ceilings up to 1" thick.

**PHOTOMETRICS** - Please visit our web site at [www.lsi-industries.com](http://www.lsi-industries.com) for detailed photometric data.

**LISTING** - UL listed to U.S. and Canadian safety standards. Non-IC rated. Suitable for wet locations. Listed for use with thru wiring. IBEW Union made in the U.S.A.

CONSULT FACTORY FOR PHOTOMETRIC INFORMATION.

## LUMINAIRE ORDERING INFORMATION

TYPICAL ORDER EXAMPLE: **LI206V CFL 1 32T UNIV EB C27**

| Luminaire Prefix | Light Source              | Lamp Quantity | Rated Wattage | Line Voltage     | Options  | Field Installed Accessories  |
|------------------|---------------------------|---------------|---------------|------------------|--|--|
| LI206V           | CFL - Compact Fluorescent | 1             | 13 T          | UNIV - Universal | DB - Dimming Ballast*<br>EB - Emergency Battery Pack<br>EBHL - Emergency Battery Pack High Lumen<br>FUS - Fuse<br>347 - 347 Volt Operation | C27 - 27" Channel Bars (pair)<br>C52 - 52" Channel Bars (pair)<br>NB - Nailer Bar Kit (set of 4)<br>SCIK - Suspended Ceiling Installation Kit (set of 4 bars and 4 grid clips) |
|                  |                           | 1             | 18 T          |                  |  |  |
|                  |                           | 1             | 26 T          |                  |  |  |
|                  |                           | 1             | 32 T          |                  |  |  |
|                  |                           | 1             | 42 T          |                  |  |  |

\* See Price Guide for available dimming ballasts

TYPICAL ORDER EXAMPLE: **LI206VPALW E**

| Reflector  | Emergency   |
|--|---|
| LI206VPALW - Prismatic Acrylic Lens, White Splay                           | E - Emergency Indicator / Test Switch Mounting Hole (Use only with EB option) |
| LI206VPALC - Prismatic Acrylic Lens, Clear Semi-specular Splay             |   |
| LI206VPLGW - Prismatic Glass Lens, White Splay (C73 pattern)               |   |
| LI206VPLGC - Prismatic Glass Lens, Clear Semi-specular Splay (C73 pattern) |   |
| LI206VFGLW - Fresnel Glass Lens, White Splay                               |   |
| LI206VFGLC - Fresnel Glass Lens, Clear Semi-specular Splay                 |   |
| LI206VCGLW - Clear Tempered Glass Lens, White Splay                        |   |
| LI206VCGLC - Clear Tempered Glass Lens, Clear Semi-specular Splay          |   |

06/08/09

© 2009  
LSI INDUSTRIES INC.

Project Name \_\_\_\_\_ Fixture Type \_\_\_\_\_  
Catalog # \_\_\_\_\_

