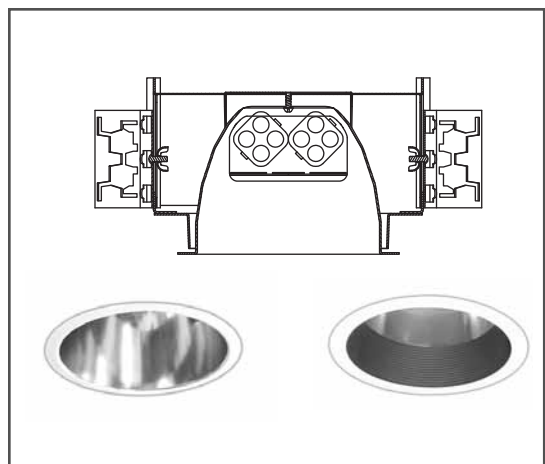


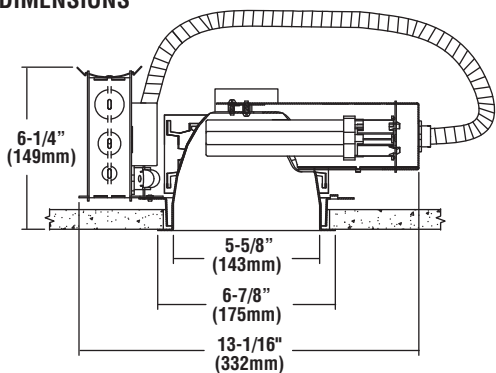
# 206HCFL

# 6" HORIZONTAL FLUORESCENT - OPEN & BAFFLED



Alzak® is a registered trademark of the Aluminum Company of America.

## DIMENSIONS



## PRODUCT HIGHLIGHTS

- Premium quality open reflector with a variety of baffle options & decorative accessories.
- .050" spun aluminum reflector available in low-iridescent Alzak® or painted finishes. White self-trim flange.
- Horizontal orientation provides medium beam spread for even illumination and optimum cut off.
- Computer-aided design optimizes visual comfort, efficiency and distribution.

**CONSTRUCTION** - Frame-in housing constructed of galvanized heavy gauge steel with adjustable yoke to retain reflector. Socket housing made of die formed galvanized steel.

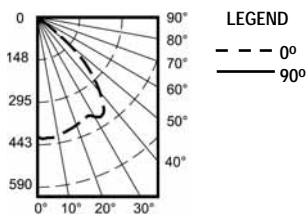
**ELECTRICAL** - Ballasts are Class P, solid state electronic, universal voltage (120V thru 277V) with end-of-life shutdown protection.

**MOUNTING** - Minimized overall housing dimensions simplify installation and access to junction box. Butterfly brackets accept 27" or 52" C-Channels, nailer bars or EMT conduit. Accommodates ceilings up to 2" thick.

**PHOTOMETRICS** - Please visit our web site at [www.lsi-industries.com](http://www.lsi-industries.com) for detailed photometric data.

**LISTING** - UL listed to U.S. and Canadian safety standards. Non-IC rated. Suitable for damp locations. Listed for use with thru wiring. IBEW Union made in the U.S.A.

## CANDLEPOWER DISTRIBUTION



LSI File No.:

206HCFL-213W QUAD.ies  
 Fixture: 206HCFL-213W CFL Quad-UNIV  
 Lamps: (2) 13W CFL Quad each rated 860 lumens  
 Efficiency: 54.4%

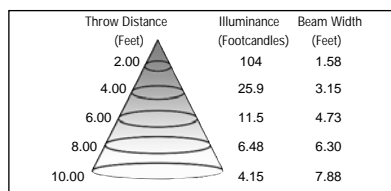
## LUMINANCE DATA (cd/sq.m)

Angle In Degrees	Average 0-Deg	Average 45-Deg	Average 90-Deg
45	10399	13265	13961
55	831	997	955
65	43	43	43
75	0	0	0
85	0	0	0

## CONE OF LIGHT

Beam Spread 43°

Max. CP 593



## CO-EFFICIENT OF UTILIZATION

Effective Floor Cavity Reflectance 0.20

RC	80	70	50	30	10	0
RW 70	50	30	10	50	30	10
0	65	65	65	63	63	63
1	61	59	58	56	55	54
2	57	54	52	49	51	49
3	54	49	46	44	47	45
4	50	45	41	39	44	41
5	47	41	37	34	41	37
6	44	38	34	31	38	33
7	41	35	31	28	35	29
8	38	32	28	25	32	26
9	36	29	26	23	29	23
10	34	27	23	21	27	21

## LUMINAIRE ORDERING INFORMATION

TYPICAL ORDER EXAMPLE: **LI206H CFL 1 32T UNIV EB C27**

Luminaire Prefix	Light Source	Lamp Quantity	Rated Wattage	Line Voltage	Options	Field Installed Accessories
LI206H	CFL- Compact Fluorescent	1 or 2 1 or 2 1 or 2 1 1 1 1 1	13 Q 18 Q 26 Q 13 T 18 T 26 T 32 T 42 T	UNIV - Universal	DB - Dimming Ballast* EB - Emergency Battery Pack EBHL - Emergency Battery Pack High Lumen FUS - Fuse 347 - 347 Volt Operation	C27 - 27" Channel Bars (pair) C52 - 52" Channel Bars (pair) NB - Nailer Bar Kit (set of 4) SCIK - Suspended Ceiling Installation Kit (set of 4 bars and 4 grid clips)

\* See Price Guide for available dimming ballasts

TYPICAL ORDER EXAMPLE: **LI206H CL BBF E DGCF**

Reflector	Finish	Baffle	Emergency	
LI206H	CL - Clear Semi Specular CM - Clear Matte GD - Champagne Gold Semi Specular WH - White	PR - Pewter Semi Specular WT - Wheat Semi Specular BZ - Bronze Semi Specular	BBF - Black WBF - White (baffle available with clear semi-specular only)	E - Emergency Indicator / Test Switch Mounting Hole (Use only with EB option)

06/08/09

© 2009  
LSI INDUSTRIES INC.

Project Name \_\_\_\_\_ Fixture Type \_\_\_\_\_  
 Catalog # \_\_\_\_\_

