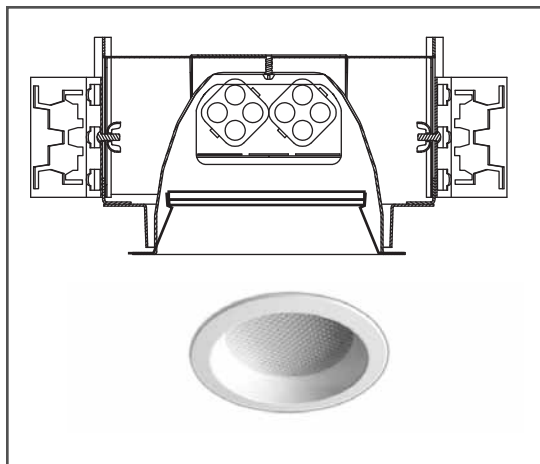


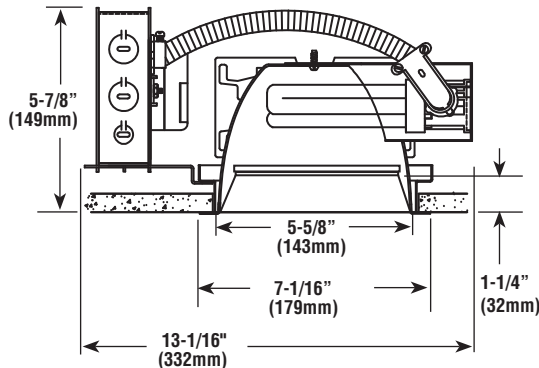
206HCFL

6" HORIZONTAL FLUORESCENT - LENSED



Alzak® is a registered trademark of the Aluminum Company of America.

DIMENSIONS ROUGH IN: 6-3/8" (162mm)



PRODUCT HIGHLIGHTS

- Premium quality reflector with a white or clear semi-specular regressed splay and acrylic or glass lens insert.
- .050" spun aluminum reflector available in low-iridescent Alzak®. White self-trim flange.
- Horizontal orientation provides medium beam spread for even illumination and optimum cutoff.
- Computer-aided design optimizes visual comfort, efficiency and distribution.

CONSTRUCTION - Frame-in housing constructed of galvanized heavy gauge steel with adjustable yoke to retain reflector. Socket housing made of die formed galvanized steel.

ELECTRICAL - Ballasts are Class P, solid state electronic, universal voltage (120V thru 277V) with end-of-life shutdown protection.

MOUNTING - Minimized overall housing dimensions simplify installation and access to junction box. Butterfly brackets accept 27" or 52" C-Channels, nailer bars or EMT conduit. Accommodates ceilings up to 2" thick.

PHOTOMETRICS - Please visit our web site at www.lsi-industries.com for detailed photometric data.

LISTING - UL listed to U.S. and Canadian safety standards. Non-IC rated. Suitable for wet locations, covered ceiling mount only. Listed for use with thru wiring. IBEW Union made in the U.S.A.

CONSULT FACTORY FOR PHOTOMETRIC INFORMATION.

LUMINAIRE ORDERING INFORMATION

TYPICAL ORDER EXAMPLE: **LI206H CFL 1 32T UNIV EB C27**

Luminaire Prefix	Light Source	Lamp Quantity	Rated Wattage	Line Voltage	Options	Field Installed Accessories
LI206H	CFL- Compact Fluorescent	1 or 2	13 Q	UNIV - Universal	DB - Dimming Ballast* EB - Emergency Battery Pack EBHL - Emergency Battery Pack High Lumen FUS - Fuse 347 - 347 Volt Operation	C27 - 27" Channel Bars (pair) C52 - 52" Channel Bars (pair) NB - Nailer Bar Kit (set of 4) SCIK - Suspended Ceiling Installation Kit (set of 4 bars and 4 grid clips)
		1 or 2	18 Q			
		1 or 2	26 Q			
		1	13 T			
		1	18 T			
		1	26 T			
		1	32 T			
1	42 T					

* See Price Guide for available dimming ballasts

TYPICAL ORDER EXAMPLE: **LI206HPALW E**

Reflector	Emergency
LI206HPALW - Prismatic Acrylic Lens, White Splay	E - Emergency Indicator / Test Switch Mounting Hole (Use only with EB option)
LI206HPALC - Prismatic Acrylic Lens, Clear Semi-specular Splay	
LI206HPGLW - Prismatic Glass Lens, White Splay (C73 pattern)	
LI206HPGLC - Prismatic Glass Lens, Clear Semi-specular Splay (C73 pattern)	
LI206HFGLW - Fresnel Glass Lens, White Splay	
LI206HFGLC - Fresnel Glass Lens, Clear Semi-specular Splay	
LI206HCGLW - Clear Tempered Glass Lens, White Splay	
LI206HCGLC - Clear Tempered Glass Lens, Clear Semi-specular Splay	

06/08/09

© 2009
LSI INDUSTRIES INC.

Project Name _____ Fixture Type _____

Catalog # _____

