

# 6" HORIZONTAL FLUORESCENT - CROSS BAFFLE

206HCFL

## PRODUCT HIGHLIGHTS

- Premium quality open reflector with a vertical cross baffle.
- .050" spun aluminum reflector available in low-iridescent Alzak®. White self-trim flange.
- Horizontal orientation provides medium beam spread for even illumination and optimum cut off.
- Computer-aided design optimizes visual comfort, efficiency and distribution.

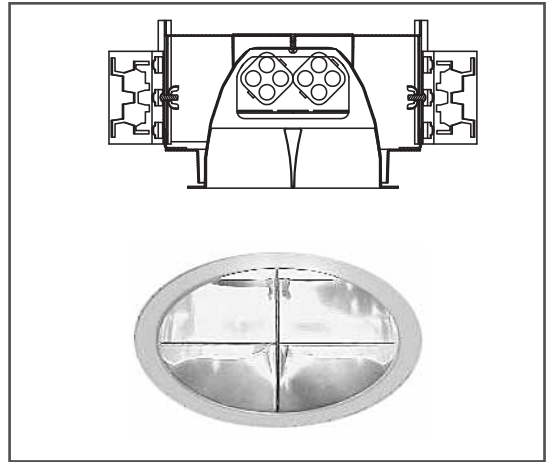
**CONSTRUCTION** - Frame-in housing constructed of galvanized heavy gauge steel with adjustable yoke to retain reflector. Socket housing made of die formed galvanized steel.

**ELECTRICAL** - Ballasts are Class P, solid state electronic, universal voltage (120V thru 277V) with end-of-life shutdown protection.

**MOUNTING** - Minimized overall housing dimensions simplify installation and access to junction box. Butterfly brackets accept 27" or 52" C-Channels, nailer bars or EMT conduit. Accommodates ceilings up to 2" thick.

**PHOTOMETRICS** - Please visit our web site at [www.lsi-industries.com](http://www.lsi-industries.com) for detailed photometric data.

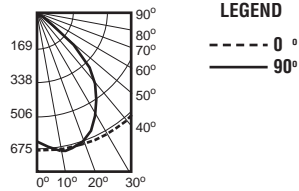
**LISTING** - UL listed to U.S. and Canadian safety standards. Non-IC rated. Suitable for damp locations. Listed for use with thru wiring. IBEW Union made in the U.S.A.



Alzak® is a registered trademark of the Aluminum Company of America.



## CANDLEPOWER DISTRIBUTION



LSI File No.: acd-113.ies  
 Fixture: 206HCFL-2-26Q-CB  
 Lamps: (2) 26W CFL  
 Efficiency: 31.7%

## LUMINANCE DATA (cd/sq.m)

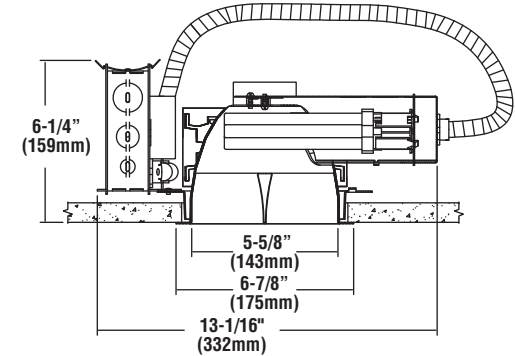
Angle In Degrees	Average 0-Deg	Average 45-Deg	Average 90-Deg
45	26490	28232	23701
55	7219	9023	6273
65	467	1750	1166
75	0	1714	762
85	0	3393	566

## CO-EFFICIENTS OF UTILIZATION

Effective Floor Cavity Reflectance 0.20

RC	80	70	50	30	10	0
RW	70 50 30 10	0 50 30 10	50 30 10	50 30 10	50 30 10	0
0	38 38 38 38	3737 37 37	35 35 35	34 34 34	32 32 32	32
1	36 34 34 33	3534 33 32	32 32 31	31 31 30	30 30 29	29
2	33 31 30 29	3331 29 28	30 29 28	29 28 27	28 27 26	26
3	31 29 27 26	3029 26 25	27 26 24	26 25 24	25 24 23	23
4	29 26 24 22	2826 24 22	25 23 22	24 23 22	24 22 21	21
5	27 24 22 20	2623 21 20	23 21 20	22 21 19	22 20 19	19
6	25 22 19 18	2522 19 18	21 19 18	21 19 17	20 19 17	17
7	24 20 18 16	2320 18 16	19 17 16	19 17 16	19 17 16	15
8	22 18 16 15	2218 16 15	18 16 15	18 16 14	17 16 14	14
9	21 17 15 13	2017 15 13	17 15 13	16 15 13	16 14 13	13
10	20 16 14 12	1916 14 12	15 14 12	15 13 12	15 13 12	12

## DIMENSIONS



## LUMINAIRE ORDERING INFORMATION

TYPICAL ORDER EXAMPLE: **LI206H CFL 1 32T UNIV EB C27**

Luminaire Prefix	Light Source	Lamp Quantity	Rated Wattage	Line Voltage	Options	Field Installed Accessories
LI206H	CFL - Compact Fluorescent	1 or 2	13 Q	UNIV - Universal	DB - Dimming Ballast* EB - Emergency Battery Pack EBHL - Emergency Battery Pack High Lumen FUS - Fuse 347 - 347 Volt Operation	C27 - 27" Channel Bars (pair) C52 - 52" Channel Bars (pair) NB - Nailer Bar Kit (set of 4) SCIK - Suspended Ceiling Installation Kit (set of 4 bars and 4 grid clips)
		1 or 2	18 Q			
		1 or 2	26 Q			
		1	13 T			
		1	18 T			
		1	26 T			
		1	32 T			
1	42 T					

\* See Price Guide for available dimming ballasts

TYPICAL ORDER EXAMPLE: **LI206H CL CB E**

Reflector	Finish	Baffle	Emergency
LI206H	CL - Clear Semi Specular	CB - Cross Baffle	E - Emergency Indicator / Test Switch Mounting Hole (Use only with EB option)

06/08/09

© 2009  
 LSI INDUSTRIES INC.

Project Name \_\_\_\_\_ Fixture Type \_\_\_\_\_  
 Catalog # \_\_\_\_\_

