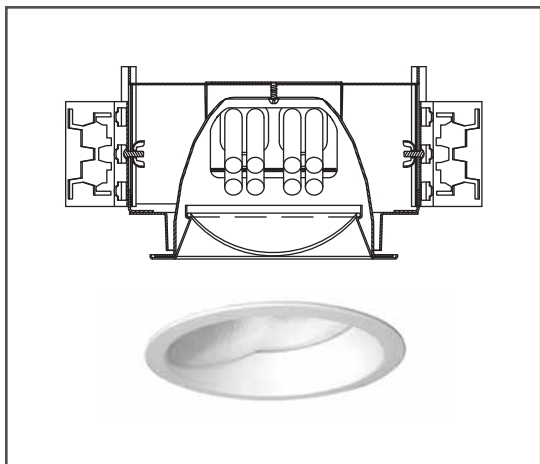
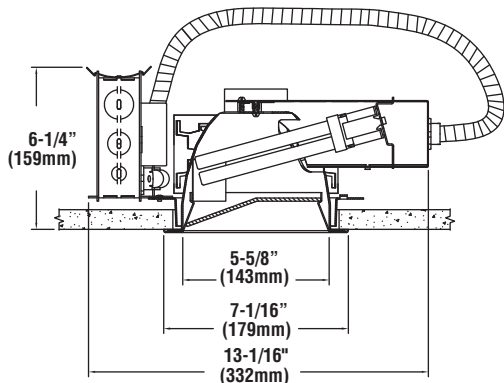


206HBLWWCFL



Alzak® is a registered trademark of the Aluminum Company of America.

DIMENSIONS ROUGH IN: 6-3/8" (162mm)



6" HORIZONTAL FLUORESCENT - BENT LENSED WALL WASH

PRODUCT HIGHLIGHTS

- Premium quality reflector with a white or clear semi-specular regressed splay and acrylic linear spread lens.
- .050" spun aluminum reflector with low-iridescent Alzak®.
- Optimized lamp position in conjunction with a linear spread lens provides even vertical illumination.
- Computer-aided design optimizes visual comfort, efficiency and distribution.

CONSTRUCTION - Frame-in housing constructed of galvanized heavy gauge steel with adjustable yoke to retain reflector. Socket housing made of die formed galvanized steel.

ELECTRICAL - Ballasts are Class P, solid state electronic, universal voltage (120V thru 277V) with end-of-life shutdown protection.

MOUNTING - Minimized overall housing dimensions simplify installation and access to junction box. Butterfly brackets accept 27" or 52" C-Channels, nailer bars or EMT conduit. Accommodates ceilings up to 2" thick.

PHOTOMETRICS - Please visit our web site at www.lsi-industries.com for detailed photometric data.

LISTING - UL listed to U.S. and Canadian safety standards. Non-IC rated. Suitable for damp locations. Listed for use with thru wiring. IBEW Union made in the U.S.A. Patent Pending.

206H 226W Bent Lensed Wall Wash
3' out from wall
3' on center

1'	20	19	20	20	19	20
2'	25	25	26	26	25	25
3'	28	28	29	29	28	28
4'	24	24	25	25	24	24
5'	18	18	20	20	18	18
6'	14	14	15	15	14	14
7'	11	11	11	11	11	11
8'	8	9	9	9	9	8
	0'	1'	2'	3'		

LUMINAIRE ORDERING INFORMATION

TYPICAL ORDER EXAMPLE: **LI206HBLWW CFL 1 32T UNIV EB C27**

Luminaire Prefix	Light Source	Lamp Quantity	Rated Wattage	Line Voltage	Options	Field Installed Accessories
LI206HBLWW	CFL- Compact Fluorescent	1 or 2 1 or 2 1 1	18 Q 26 Q 32 T 42 T	UNIV - Universal	DB - Dimming Ballast* EB - Emergency Battery Pack EBHL - Emergency Battery Pack High Lumen FUS - Fuse 347 - 347 Volt Operation	C27 - 27" Channel Bars (pair) C52 - 52" Channel Bars (pair) NB - Nailer Bar Kit (set of 4) SCIK - Suspended Ceiling Installation Kit (set of 4 bars and 4 grid clips)

* See Price Guide for available dimming ballasts

TYPICAL ORDER EXAMPLE: **LI206HWBLWW E**

Reflector	Emergency
LI206HWBLWW - White Splay, Bent Lensed Wall Wash LI206HCBLLWW - Clear Semi-specular, Bent Lensed Wall Wash	E - Emergency Indicator / Test Switch Mounting Hole (Use only with EB option)

