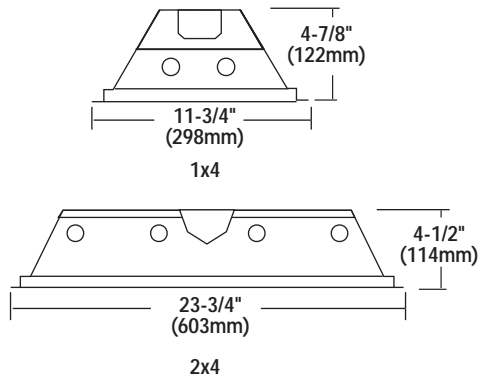


# 1TG/2TG

# PREMIUM GRADE STATIC (1X4, 2X4)



### DIMENSIONS



### PRODUCT HIGHLIGHTS

- Premium-grade static troffers (heat removal optional)
- Deep housing for excellent lamp to lens spacing/high visual comfort
- Optimum lamp positioning for uniform light diffusion
- Unique matte black light trapping bars eliminate end light spill over
- Integral EQ grid clips

**APPLICATION** - Recessed grid or flanged troffer.

**CONSTRUCTION** - Housing/end sections constructed of 22-gauge, cold rolled steel. Wire way covers snap in for easy attachment/removal. Flat, steel door frame with T-hinges and cam-actuated latches available. Flat or regressed, extruded aluminum door frame with spring-loaded latches available (can be inserted from either side).



**ELECTRICAL** - All devices UL/CUL listed. Suitable for damp locations. Damp location emergency pack must be specified separately. Ballasts are energy saving, solid-state electronic. Ballasts and lampholders replaceable without removing from ceiling. Discrete voltage must be specified for emergency pack options when wired with flex. Where lamps are included as part of the fixture, lamp CRI and color temperature must be specified.

**FINISH** - All metal parts painted after fabrication following treatment with phosphate rust inhibitor. Finish coating of housing reflecting surfaces is with white, high-reflectance (minimum 92%) polyester powder.

**PHOTOMETRICS** - Please visit our web site at [www.lsi-industries.com](http://www.lsi-industries.com) for detailed photometric data.

**ADDITIONAL SIZES** - 4 x 4 also available. Consult factory.

**ADDITIONAL OPTIONS** - Styrene silver, small cell parabolic and other shielding material available. See Shielding Options.

## LUMINAIRE ORDERING INFORMATION

TYPICAL ORDER EXAMPLE: **LI2T G A 4 32 SD SS010 EM UE**

Prefix	Ceiling	Shielding	Lamps	Lamp Type	Doors	Ballasts	Options	Voltage
LI1T (1x4)	G - Grid F - Flanged <sup>1</sup>	A - Pattern 12	1	32 - 32W 48" T8	SD - Steel door (with cam latches) SL - Steel door Spring Loaded Latches RA - Regressed Aluminum door (with spring loaded latches) FA - Flat Aluminum door (with spring loaded latches) HR - Heat Removal	SS5 - T5 Instant Start SS5R - T5 Rapid Start SS5D - T5 Dimming (specify type) SS5HO - T5HO SSOD - T8 Dimming (specify type) SSOL - T8 Low Watt SSOHL - T8 High Power Factor SSOR - T8 Rapid Start SS010 - T8 <10% THD Instant Start  (For dual ballasts add "2" Example: SS02)	F - Fusing EM - Emergency Pack EMDL - Emergency Pack Damp Location FC1 - 6' 3/8" flex, 3 #18 leads (other types available) MA/AUX - Master / Auxiliary LM - Lamps installed (specify) TP - Tamper Resistant Door Frame MWA - Specular Aluminum reflector MWS - Specular Silver reflector JP - Job Packed WG - Wire Guard (SD only)	120 - 120V
		Acrylic	2	28 - 28W 45" T5				277 - 277V
		A125 - Pattern 12	3	54 - 54W 45" T5HO				347 - 347V
LI2T (2x4)		Acrylic .125	2 3 4 6 <sup>2</sup>					Universal
		19 - Pattern 19						Electronic
		Acrylic						(120-277V)
		(others available upon request)						

### FOOTNOTES:

- 1 - See the Flanged Troffer Mounting Data section for details.  
2 - Not available in 54W T5HO or T8 SSOHL version.